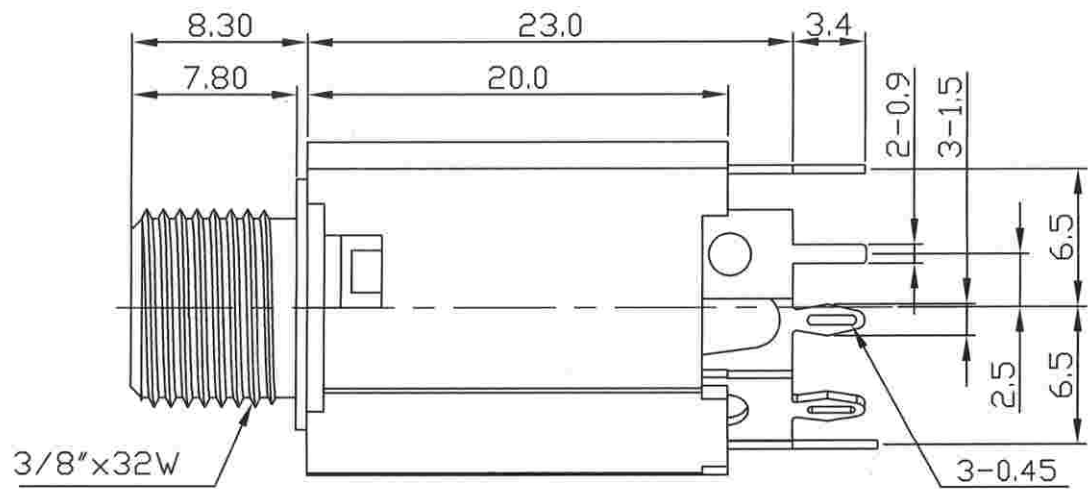


P.C.B. LAYOUT ( $\pm 0.1$ )  
(BOTTOM VIEW)

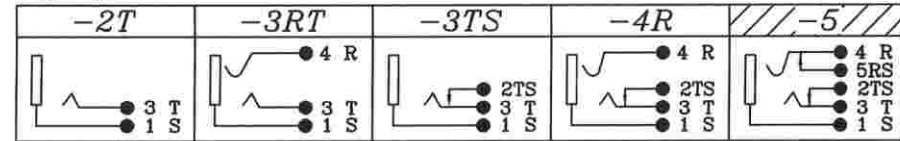


K6J04H-□□-□□□□  
C D F F F

25.0

PLUG

F:Schematic:



JACK VERTICAL - J-10-SCJ-JSF-METALICO

**ScottPlásticos**